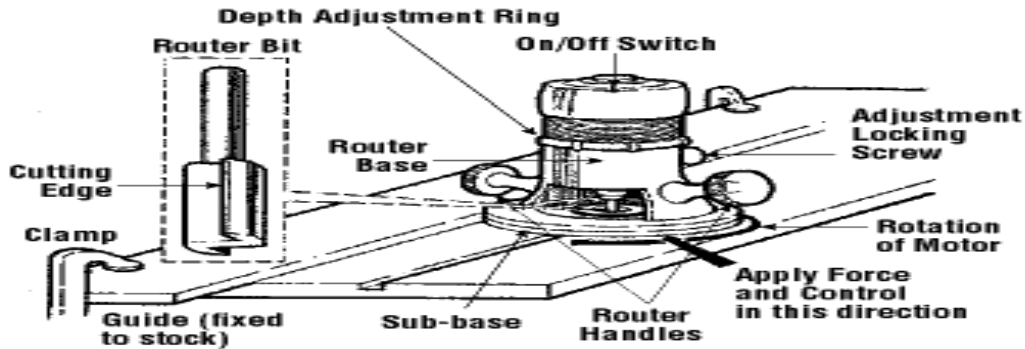




Power Tools: Router



The Student is able to demonstrate safe and correct performance of the following:

1. Wears PPE e.g.: eye protection or face shield, hearing protection.
2. Disconnects power supply before making adjustments or changing bits.
 - Inspects bits carefully before installing.
3. Ensures that bit is securely mounted in the chuck and the base is tight.
4. Puts base of router on work, template or guide.
 - Ensures that bit can rotate freely before switching on motor.
5. Checks stock for staples, nails, screws, foreign objects before using.
6. Secures stock.
7. Keeps power cord clear of cutting area.
8. Holds both hands on router handles until a motor has stopped.
 - Does not set router down until exposed router bit stops turning.
9. Does not overreach. Keeps proper footing and balance.
10. When inside routing, starts the motor with the bit above the stock.
 - When the router reaches full power, lowers bit to required depth.
11. Guides router counterclockwise when routing outside edges.
12. Ensures router bit is in contact with the stock to left of a starting point and is pointed in the correct cutting direction when routing bevels, moldings, and other edge work.
13. Feeds router bit into the material at a firm, controlled speed.
 - Cutting faster in softwood.
 - Cutting slow in hardwood, knotty and twisted wood.
14. Identifies motor sound for safe cutting speeds.
 - When the router fed into material too slowly, motor makes a high-pitched whine.
 - When router is pushed too hard, motor makes slow growling noise.
15. Tests router on scrap lumber similar to the work to determine depth of cut and how many passes to make.

Date	Sign-off	Notes

Resource: [Woodworking Machines - Shapers](http://www.woodworkingmachines.com/shapers)